

# JE 6-250 K10 FT41



Electric - Qmax 320 m<sup>3</sup>/h - 5333 l/min (1409 USgpm) - Hmax 18 m (59 ft)

Code on request



## Product Data

Suction port  
**Flanged - DN150 DI 1882 TL (to be welded)**

Delivery port  
**Flanged - DN150 DI 1882 TL (to be welded)**

Qmax  
**320 m<sup>3</sup>/h - 5333 l/min (1409 USgpm)**

Hmax  
**18 m (59 ft)**

Solids handling  
**76 mm (3")**

Motor power  
**15 kW - 20 HP**

Motor brand  
**Electro Adda E3G**

Weight  
**280 kg (617 lb)**

Indicative picture of the product

## Close-coupled self-priming centrifugal pump with electric motor

### Characteristics

The J series self-priming centrifugal pumps are used in applications where a rapid priming capacity is required from demanding suction heights combined with the ability to transfer and manage polluted fluids, dirty and abrasives with suspended large diameter solids. The system is based on an inspectable pump casing which also acts as a water tank allowing a first quick priming without auxiliary systems, simplifying management of the system and reducing the time for maintenance. Within the physically permitted suction height limits, J pumps are a more comfortable and reliable solution than submersible pumps and vertical submersed impeller pumps.

### Benefits

- 1) Rapid self-priming**  
Without foot valve up to a height of 7.5 m (24.5 ft)
- 2) High resistance**  
To abrasive liquids which are turbid and sandy
- 3) Semi-open impeller**  
High thickness casting impact resistant
- 4) Wear plate/plates**  
Easily replaceable stainless steel wear plate/plates
- 5) Easy maintenance**  
Removable front cover for direct access to the impeller

### Applications

#### Industry:

clean, dirty, sandy, muddy, neutral, alkaline, acidic liquids; low viscous petroleum products, solvents even if dirty; milk of lime, caustic soda; washing, cooling, recirculation, smoke scrubbing.

#### Treatment:

pumping polluted corrosive wastewater containing sand, mud or solids in suspension; dosing neutralizing liquids; pumping out settled sludge.

#### Naval:

loading and unloading; bilge pumping; washing, fire-fighting, stripping, sanitary duty and circulation.

#### Agriculture:

surface irrigation; liquid manure oxygenation; transfer and spraying liquid manure or fertilizers; distribution of liquid animal feed; transfer of wine must; washing.

Varisco S.r.l. has certified its Quality, Environment and Safety Management System in accordance with the requirements of the international standard ISO 9001-14001-45001, recognized by the Lloyd Register.

Specification is subject to change without prior notice. Please check with your Varisco representative for the latest specifications.  
Document release date: May 30<sup>th</sup> 2024

[www.variscopumps.com](http://www.variscopumps.com)

# JE 6-250 K10 FT41



## PERFORMANCE CURVES

Test according to **UNI EN ISO 9906 standard - level 2B**

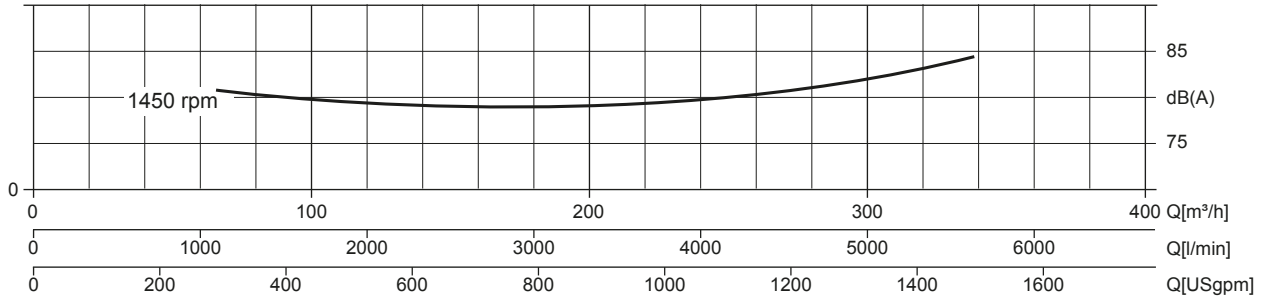
Installed power: **15 kW - 20 HP (1.450 rpm)**

Test liquid: **clean water, density 1.000 kg/m<sup>3</sup>**

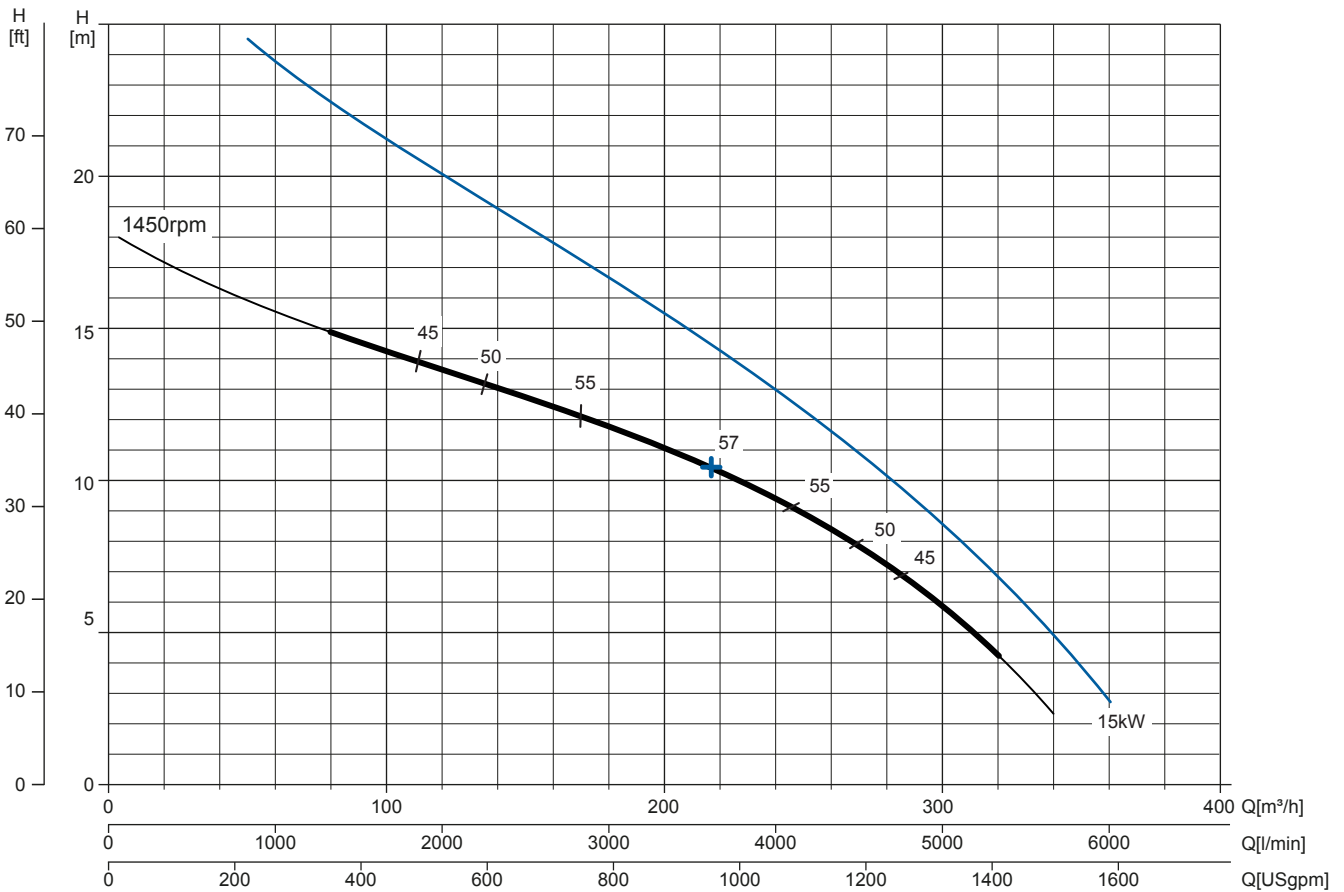
Spherical solids handling: **D.76 mm (3")**

### Noise Curve

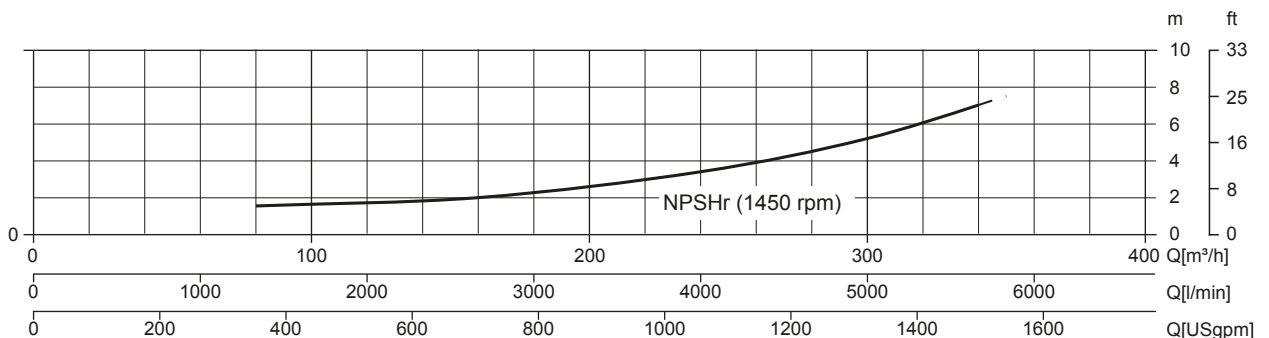
dB(A)=max noise level at 1 m



### Speed Curve



### NPSHr Curve



# JE 6-250 K10 FT41



## TECHNICAL DATA

### Pump

|                  |   |
|------------------|---|
| Pump model       | JE 6-250 K10 FT41   |
| Qmax [1.450 rpm] | 320 m <sup>3</sup> /h - 5333 l/min (1409 USgpm)                             |
| Hmax [1.450 rpm] | 18 m (59 ft)  |
| Suction port     | Flanged - DN150 DI 1882 TL (to be welded)                                   |
| Delivery port    | Flanged - DN150 DI 1882 TL (to be welded)                                   |
| Impeller type    | Semi open, 2 vanes  |
| Solids handling  | 76 mm (3")  |
| Casing           | ASTM A351 CF3M stainless steel  |
| Impeller         | ASTM A351 CF3M stainless steel  |
| Wear plate       | ASTM A351 CF3M stainless steel  |
| Non-return valve | check-valve, FKM  |
| Shaft            | 39NiCrMo3 EN 10083 carbon steel   |
| Mechanical seal  | Silicon carbide / Silicon carbide   |
| Elastomers       | FKM   |
| Lubrication      | Grease  |
| Bearing bracket  | EN 1561 EN-GJL-200 cast iron, with grease lubricated ball bearings for life |

### Motor

|                              |                               |                     |                    |
|------------------------------|-------------------------------|---------------------|--------------------|
| Mains supply (Three-phase)   | 380 VD/660 VY ± 5%            | 400 VD/690 VY ± 10% | 415 VD/720 VY ± 5% |
| Frequency (Nominal speed)    | <b>50 Hz ± 2% / 1.450 rpm</b> |                     |                    |
| Absorbed current             | 25,6/14,8 A                   |                     |                    |
| Starting Current Is/In       | 7.8                           |                     |                    |
| Efficiency (100%)            | 92,1% ( IE3 )                 |                     |                    |
| Model                        | Electro Adda E3G              |                     |                    |
| Standards                    | IEC 60034-1                   |                     |                    |
| Construction                 | Cast iron, TEFC               |                     |                    |
| Mounting arrangement         | IM 2001 B35                   |                     |                    |
| No. poles                    | 4                             |                     |                    |
| Rated power                  | 15 kW - 20 HP                 |                     |                    |
| Degree of protection         | IP55                          |                     |                    |
| Markings                     | CE                            |                     |                    |
| Insulation class/Temperature | F/80°K                        |                     |                    |
| Duty type                    | Continuous - S1               |                     |                    |
| Temperature sensors          | N/A                           |                     |                    |

### Arrangement

|                   |  |
|-------------------|--|
| Dimensions        | 1211/1251 x 475 x 620 mm (47,6/49.3 x 19 x 24)       |
| Coating           | Polyurethane enamel, average thickness of 100 µm     |
| Color             | RAL 5010 blue (standard)                             |
| Features          | Close-coupling bell housing with double ball bearing |
| Height connection | 0,45 m (1,5 ft)                                      |

### Optionals

|  |                      |
|--|----------------------|
| Flanged ports DN150 PN16 EN1092-1 Type B   | code N/A             |
| Flanged ports 6" ANSI B16.1 Class 125 R.F. | code N/A             |
| Automatic mechanical seal greaser          | code 10008316        |
| Integrated VSD motor inverter              | Available on request |

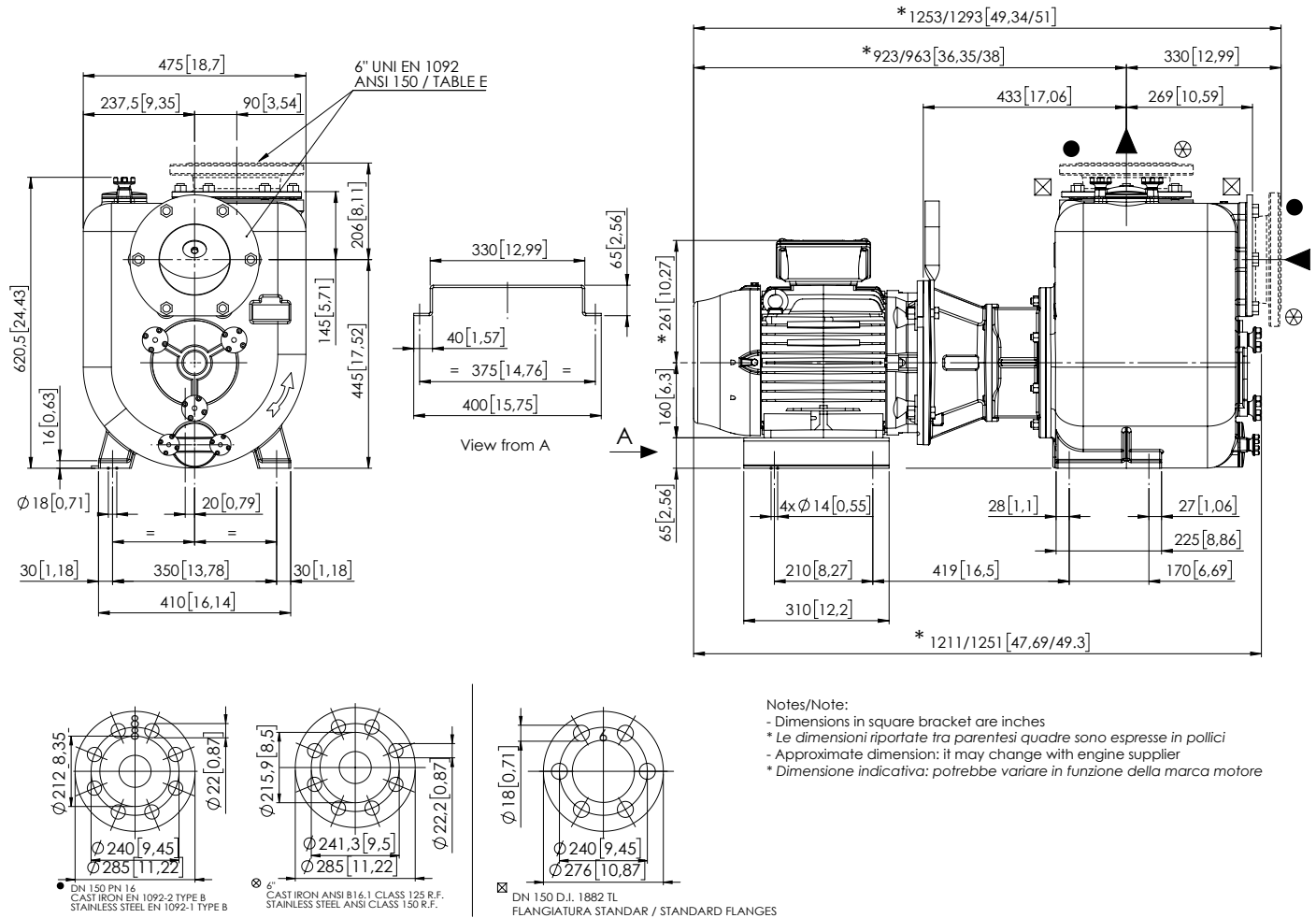
### Weight

|            |                 |
|------------|-----------------|
| Net weight | 280 kg (617 lb) |
|------------|-----------------|

# JE 6-250 K10 FT41

## DIMENSIONS

mm [in]



## PACKAGING DIMENSIONS

### Dimensions

JE 6-250 K10 FT41 (L x W x H mm)

1200 x 1000 x 950 mm

Gross weight (pump + packing)

315 kg (695 lb)

